

58534A
Option 001
GPS Antenna Evaluation Kit

User's Guide

This guide provides a parts list and software installation instructions for the Symmetricom 58534 Option 001 GPS Antenna Evaluation Kit.

For assistance, contact:

Symmetricom, Inc.
2300 Orchard Parkway
San Jose, CA 95131-1017

U.S.A. Call Center:
888-367-7966 (from inside U.S.A.
only – toll free)
408-428-7907

U.K. Call Center:
+44.7000.111666 (Technical
Assistance)
+44.7000.111888 (Sales)

Fax: 408-428-7998

E-mail: ctac@symmetricom.com

Internet: <http://www.symmetricom.com>

Warning Symbols Used In This Book



Instruction manual symbol; the product will be marked with this symbol when it is necessary for the user to refer to the instruction manual.



Indicates hazardous voltages.



Indicates earth (ground) terminal.



or



Indicates terminal is connected to chassis when such connection is not apparent.



Indicates Alternating current.



Indicates Direct current.

58534A Option 001 GPS Antenna Evaluation Kit

User's Guide

Kit Contents

The 58534A Option 001 GPS Antenna Evaluation Kit consists of the items below.

Table 1. 58534A Option 001 GPS Antenna Evaluation Kit—Parts List

Ref #	Part Number	Description
1	58531-13401	58531A GPS Timing Receiver Analysis and Control Software, on 88.9-cm diskette
2	5060-0184	RS-422 to RS-232 PC Interface module (shown in Figure 1)
3	58534-60207	50-meter length of interconnect cable, terminated on both ends in order to mate with the 58534A GPS Timing Antenna and the PC Interface box
4	8120-8423	3-meter DB9 extension cable, 9-pin female-to-9-pin female, with EMI/RFI hoods. Note: This is a straight-through cable. A null-modem cable should not be used here , because it will provide incorrect signal connections.
5	58534-67001	Mounting hardware (shown in Table 2) Mounting hardware is the same as that provided by 58534A Option AUB.
6	58534-90001	Operating manual diskette.

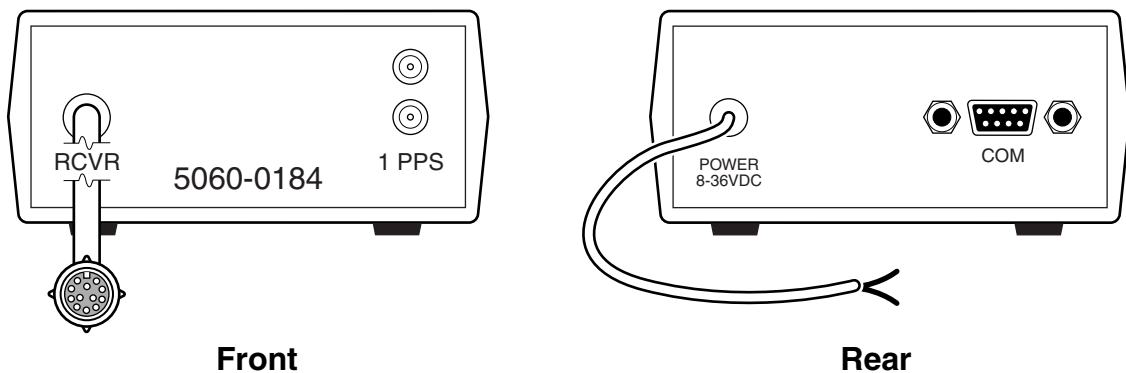
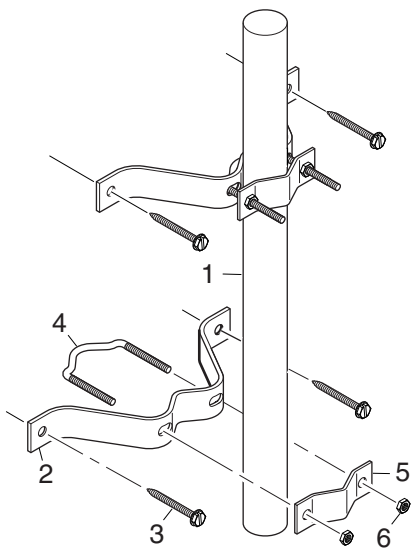


Figure 1. RS-422 to RS-232 PC Interface module

Software Installation

To install the 58531A GPS Timing Receiver Analysis and Control Software: **1)** insert the disk into an appropriate drive; then **2)** Run `setup.exe`.

Table 2. 58534A Option AUB Mounting Hardware Kit

Illustration	Ref #	Description	Qty
	1	Mast OD: 31.5 mm ± 0.125 mm Length: 45.75 cm Material: 10-60 CRS, hot-dipped galvanized steel	1
	2	Bracket	2
	3	Mounting screw	4
	4	U-bolt	3
	5	Clamp	3
	6	Hex nut	4

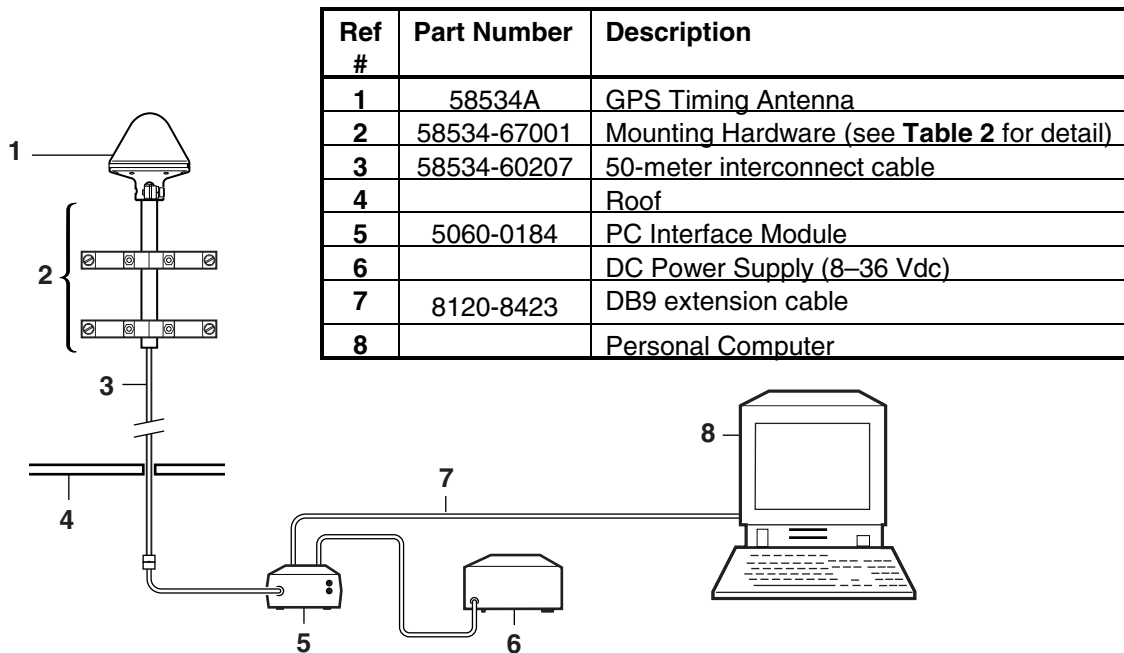


Figure 2. Configuration Diagram

See other documentation

For detailed Installation, Operating, or other instructions for the 58534A Option 001 GPS Antenna Evaluation Kit, refer to the *58534A GPS Timing Antenna Installation and Operating Manual*, supplied on a diskette as part of the kit.